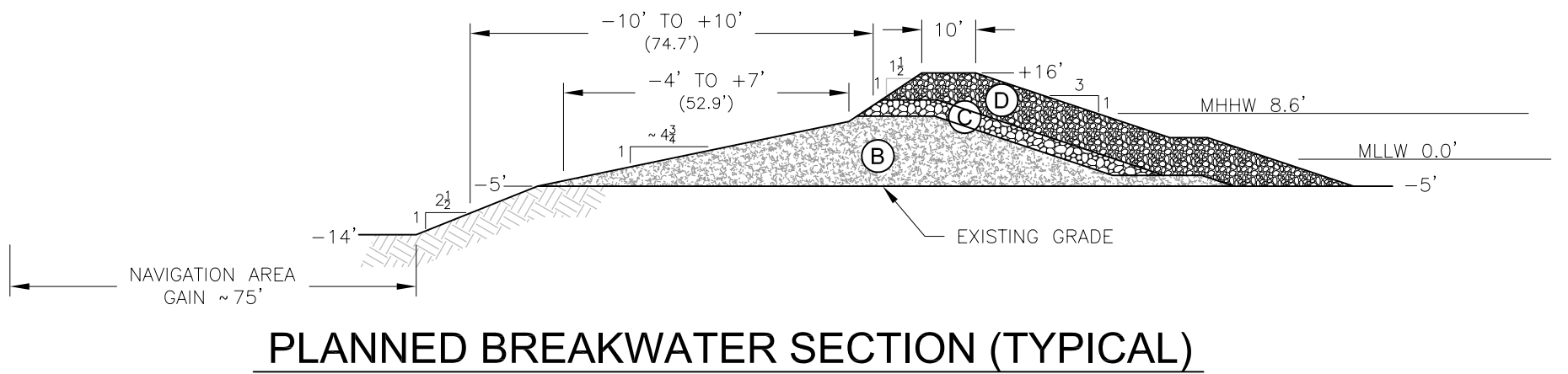
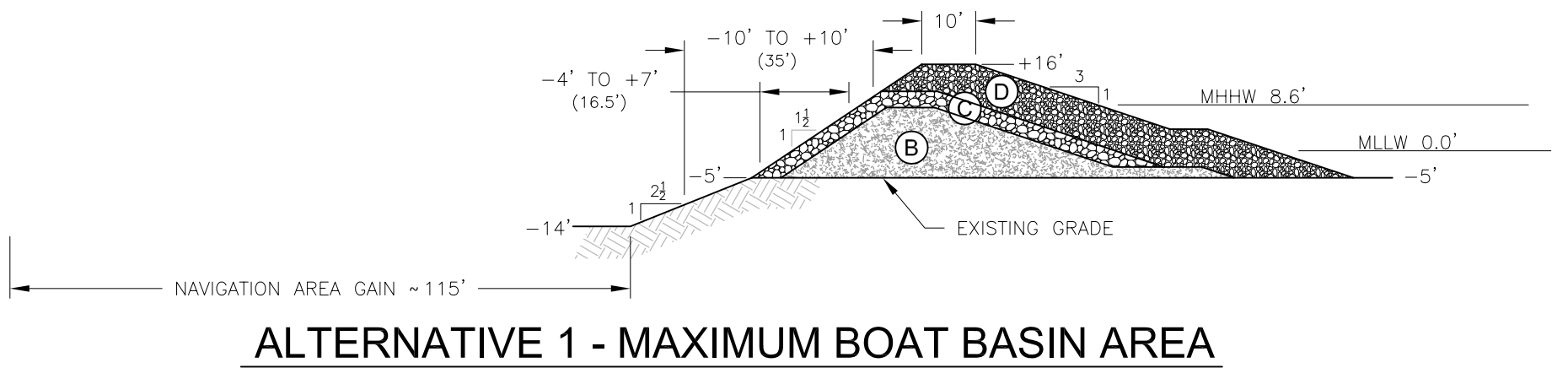


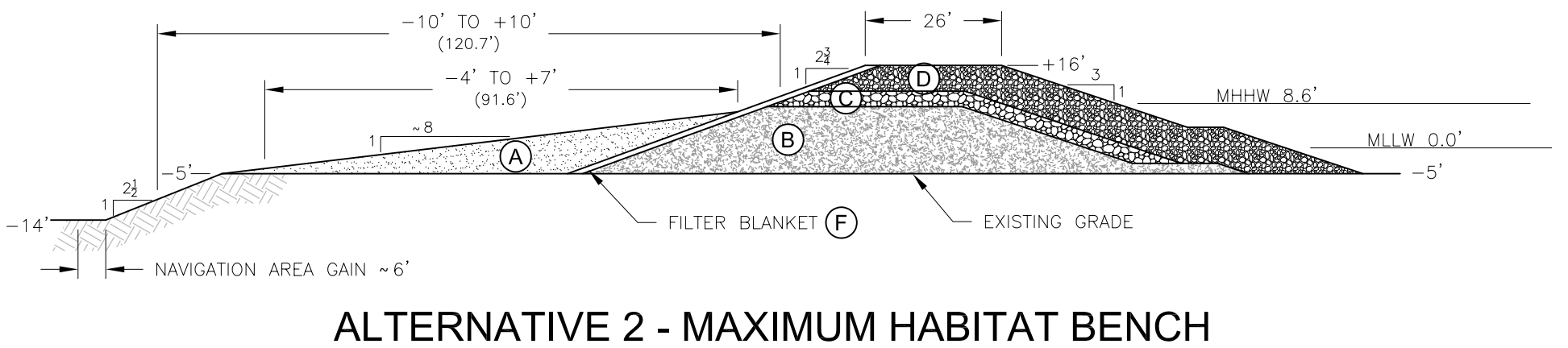
EXISTING BERM SECTION (TYPICAL)



PLANNED BREAKWATER SECTION (TYPICAL)



ALTERNATIVE 1 - MAXIMUM BOAT BASIN AREA



ALTERNATIVE 2 - MAXIMUM HABITAT BENCH

LEGEND

- (A) DREDGE SAND
UPLAND SAND AND FILL
- (B) QUARRY ROCK (2" - 12")
- (C) RIP-RAP (30# - 300#)
- (D) ARMOUR ROCK (300# - 4400#)
- (E) INNER DIKE DRESSING
- (F) CRUSHED ROCK



PORT1-18141-100		EXISTING ASB BERM AND POTENTIAL MODIFICATIONS
DATE: 03/22/04	DRWN: A.S./SEA	FIGURE 1